

Tierrett Catheter for Cats

Instructions for use

Contraindicated to re-use

[WARNINGS]

- After inserting the catheter, make sure to confirm that the catheter position is appropriate under fluoroscopy.
- If it felt resistance when pulling out when using the pigtail shape, take appropriate measures after confirming the cause of resistance by X-rays.
[There is a risk that the catheter loop will become entangled in the bladder and a knot will be formed during placement or removal, if it is forcibly removed, it may damage the bladder and urethra.]

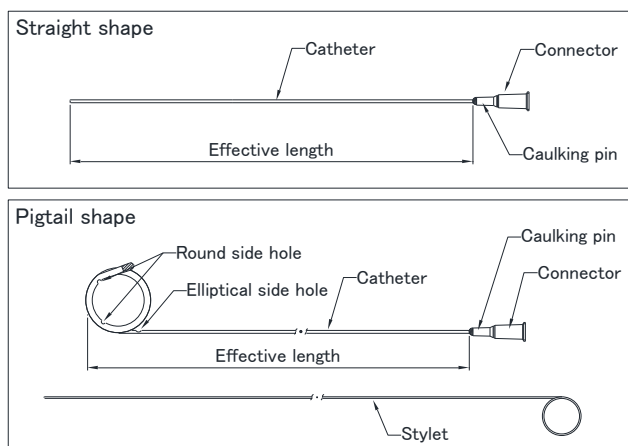
[CONTRAINDICATIONS • PROHIBITION]

- When using this product for the urethra, do not use it in cases with urethral stenosis.
[There is a risk of damage to tissues and urethral mucosa.]
- Do not perform an inspection by MRI (Magnetic Resonance Imaging) with this product placement in the patient.
[Due to the influence of the high frequency electromagnetic field of MRI, metal parts may cause local high frequency heating and cause burns to the patient.]

[Shape, structure, principle]

This product is sterilized with ethylene oxide gas.

<Shape>



Size	O.D.	I.D.	Effective length	Shape	Side hole
3Fr	1.10mm	0.80mm	120mm (160mm ^{※1})	Straight	None
				Pigtail	3 ^{※2}
4Fr	1.33mm	0.98mm	120mm (160mm ^{※1})	Straight	None
				Pigtail	3 ^{※2}

※1 Effective length when the pigtail shape is extended (reference value)

※2 Pigtail side hole: 3 holes from the tip to 60 mm

<Raw Materials>

- Catheter: Polyurethane
- Connector: Polypropylene
- Stylet: Stainless
- Caulking pin: Stainless steel

<Principles>

- By inserting the catheter percutaneously into the urethra or bladder, urine is discharged from the connector through the lumen through the tip hole / side hole.

[Intended purpose, efficacy or effect]

- It is placed in the urethra or bladder and used for urinary catheterization.

[Operating or using method]

The below is a general procedure.

<Straight shape>

- [1] Disinfect the external urethral meatus and vulva.
- [2] Remove the product from the packaging material hygienically and make sure the catheter is no damaged.
- [3] Apply a lubricant to the catheter as required and insert carefully into the urethra.
- [4] Urine begins to flow out of the connector.
- [5] Receive the outflow urine in the container.
- [6] Place a catheter based on the in-hospital medical care protocol.
- [7] When removing the catheter, pull out carefully.

<Pigtail shape>

- [1] Disinfect the external urethral meatus and vulva.
- [2] Remove the product from the packaging material hygienically and make sure the catheter is no damaged.
- [3] Insert the stylet into the catheter and extend the pigtail shape.
[If the stylet is tight at the loop, do not force and stretch the loop lightly with your fingers.]
- [4] Apply a lubricant to the catheter as required and insert carefully into the urethra.
- [5] Insert the catheter and when it crosses the extraurethral sphincter, pull out the stylet for about one finger (about 2 cm) and insert the catheter and stylet together.
(At this time, the tip pigtail catheter is J shape.)
- [6] If it felt resistance to contact the bladder wall, etc., or insert it about 3 cm, pull out the remaining stylet.
[Do not pull immediately after placement because the loop part is formed slowly.]
- [7] Urine begins to flow out of the connector.
- [8] Receive the outflow urine in the container.
- [9] Place a catheter based on the in-hospital medical care protocol.
- [10] When removing the catheter, pull out carefully. If it felt abnormal resistance, return the catheter to the bladder and pull out lightly. The push-pull operation of the catheter is repeated several times to release the resistance, and the catheter removal operation is restarted.

<Precautions for the using method>

- [1] Make sure to visually inspect the appearance of this product before use.
- [2] Use immediately after opening the package.
- [3] For the pigtail shape, insert the preset stylet to the back just before use and straighten the shape part.
[If the inserted stylet is left for a long time, it may be difficult for the shape to return and to place.]
- [4] When replacing the catheter, prepare everything so that it can be replaced without delay before removing the catheter.
[Reinsertion becomes difficult over time after catheter removal.]
- [5] When fixing the catheter to the skin, do not fix the catheter directly with a suture thread.
[There is a risk of blockage or rupture.]
- [6] Always pay attention to the fixed state of the catheter when placing the catheter.
[Twisting and bending can occlude the catheter.]
- [7] When placing a catheter, after confirming the outflow of urine, insert for a sufficient length before placement. If urine outflow cannot be confirmed, inject an appropriate amount of sterile saline from the connector at the discretion of the veterinarian, confirm that the sterile saline is discharged as

soon as the connector is opened. Or wait a while to check for urine outflow.
[8] When connecting a tube, etc. to the connector, make sure to select one fits.
After starting use, make sure that no leaks or looseness in the connection part, use it in a securely connected state.

[Precautions]

<Important basic caution>

- [1] Since the catheter lumen may be blocked by urine components and stones etc., make sure to manage the catheter.
- [2] Check the drainage status regularly during catheter placement.
- [3] Manage appropriately the catheter state during placement. If necessary, check the placement state of the catheter by fluoroscopy.
- [4] Confirm if it is abnormality in the respective parts before use of the device.
- [5] Do not insert forcibly. When insertion is difficult, discontinue use of this product, and take appropriate measures.
[There may be a risk of injuring tissues.]
- [6] Do not insert or retract the device forcibly. Operate the device carefully.
[The product may be broken.]
- [7] Make sure to confirm that the elliptical hole is outside the body when removing with using the stylet.
[The stylet may protrude from the side hole and damage the tissue.]
- [8] If abnormality is detected, stop using the device promptly and take appropriate measures.
- [9] Handle the device carefully and gently without stretching or bending forcibly.
- [10] Do not remodel the device.
[Addition of a side hole, etc. may cause breakage of the tube.]
- [11] Do not expose the device to drugs classified into a strong acid or a strong alkali and organic solvents.
- [12] Do not pinch the device with forceps too strongly.
[The tube may be broken or lumen may be occluded.]
- [13] Do not use the device if the package is broken or abnormality such as breakage is detected.
- [14] Use the device promptly after opening the package and dispose the device by a safe method.
- [15] During placement, keep the device under full control to prevent its operation by an untrained person.
- [16] For injection of a drug solution through the device, select an appropriate drug solution under the physician's responsibility. Please refer to the package insert of the drug solution.

<Failures >

- [1] Occlusion of the catheter.
[The lumen of the catheter may be occluded by the adhesion of the urinary constituents or blood clots etc.]
- [2] Cut of the catheter.
[Cut due to the following causes]
 - Damage caused by handling during insertion (damage caused by forceps, scissors, knife or other apparatuses)
 - Damage due to the calculus in the patient.
 - Sudden load on the product such as self (accidental) removal.
 - Excessive load on the product when peeling off the bandage etc. rapidly
 - Other combined causes due to the above events.
- [3] Breakage, bending, damage, or cutting of the stylet
[The stylet may be broken, bent, or cut due to the following causes]
 - Insertion or removal with excessive force or operation with excessive torque
 - Use with a kinked catheter
 - Other combined causes due to the above events.

[Storage conditions and duration of use]

<Storage conditions>

Store the product hygienically, avoiding the direct sun light, high humidity and ultraviolet rays such as a sterilizing lamp and taking care of wetting.

<Expiration date >

- If proper storage is maintained, refer to the expiration date on the individual

packaging.

- Please be careful about storage and do not use the product after the expiration date.

[Packaging]

- 5-pack box

Manufacturer
CREATE MEDIC CO.,LTD.

2-5-25 Chigasaki-minami, Tsuzuki-Ku, Yokohama, Japan

In-house administration number: DC67863 R0-0 2020.10.26